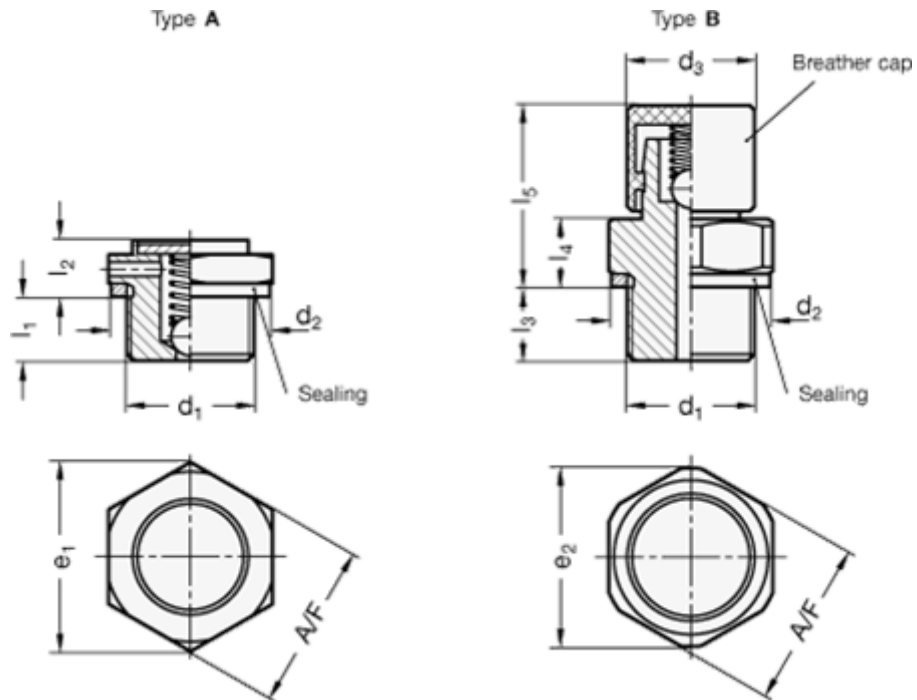


Data Sheet



Article number: 20883G38160BMS
 Description: E+G Udluftningsfilter - G 3/8"

Measures



	= -	l2	= 11
	= -	l3	= 7.5
A/F	= 22	l4	= 7.5
Air passage l/min.	= -	l5	= 19
d2	= 23	Opening pressure in mbar = Min. 160 - Max. 240. mbar	
d3	= 13	Thread d1 = G 3/8"	
e	= 24		
l1	= 9		